

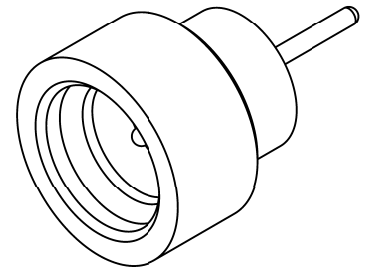
CATALOG NUMBER	"A" INTERFACE	"L" LENGTH
R007-L43-05-TAB-R	FULL DETENT	SEE CHART
R007-L45-05-TAB-R	SMOOTH BORE	SEE CHART

TAB EQUALS "L" X 10³ IN.

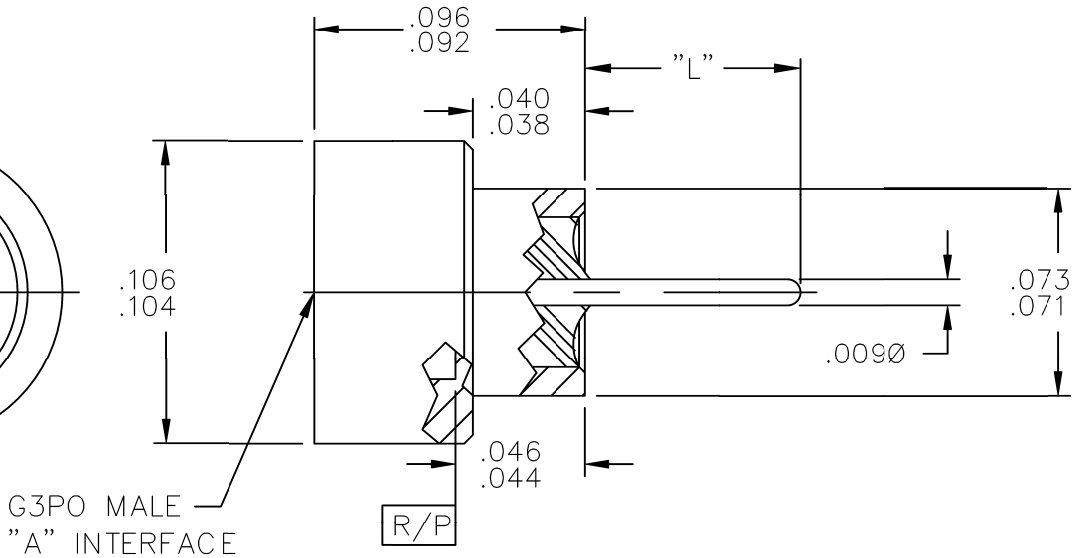
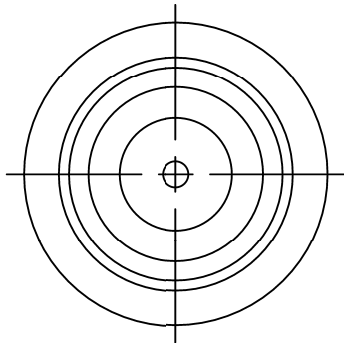
MATERIAL AND FINISH

HOUSING AND PIN: IRON-NICKEL-COBALT SEALING ALLOY (KOVAR) PER ASTM F 15; GOLD PLATE

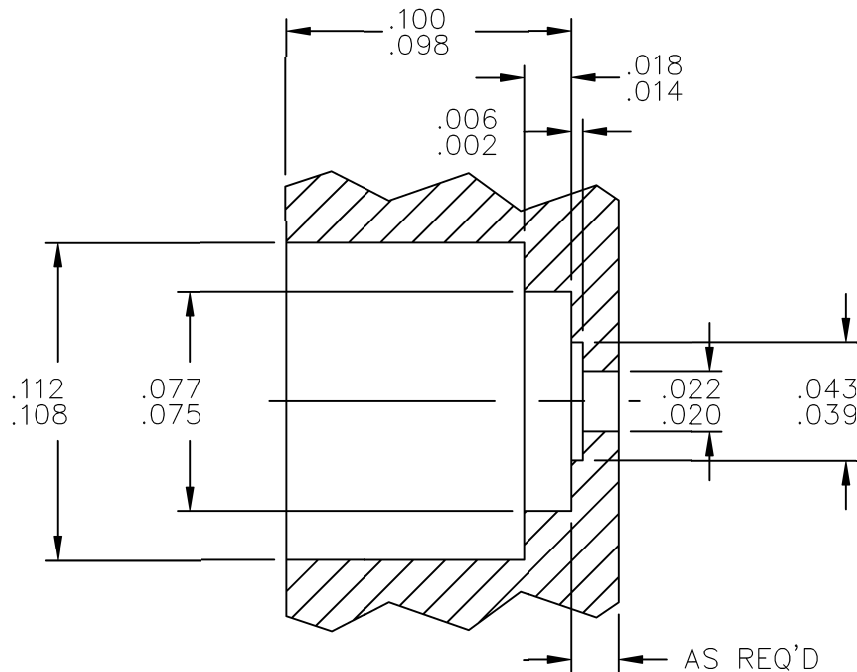
DIELECTRIC: CORNING 7070 GLASS OR EQUIVALENT



LENGTH CHART
.025
.030
.035
.040
.045
.050
.055
.060
.065
.070
.075



RECOMMENDED FLUSH SHROUD MOUNTING HOLE



This drawing and any data contained herein is the property of Corning Gilbert Inc., and constitutes and contains proprietary and confidential information. Neither receipt nor possession of this drawing confers or transfers any right to duplicate, use or disclose any information contained herein except as expressly authorized by Corning Gilbert Inc.

G3PO MALE SOLDER-IN
HERMETIC SHROUD
(TAB DETENT)

IDENT CODE:
82316
REVISION: A

Corning Gilbert Inc.

SOURCE FILE: SK-3514

DWG. NO.: OL-R007-L4X-05-TAB-R

ASSY. PROC.: -